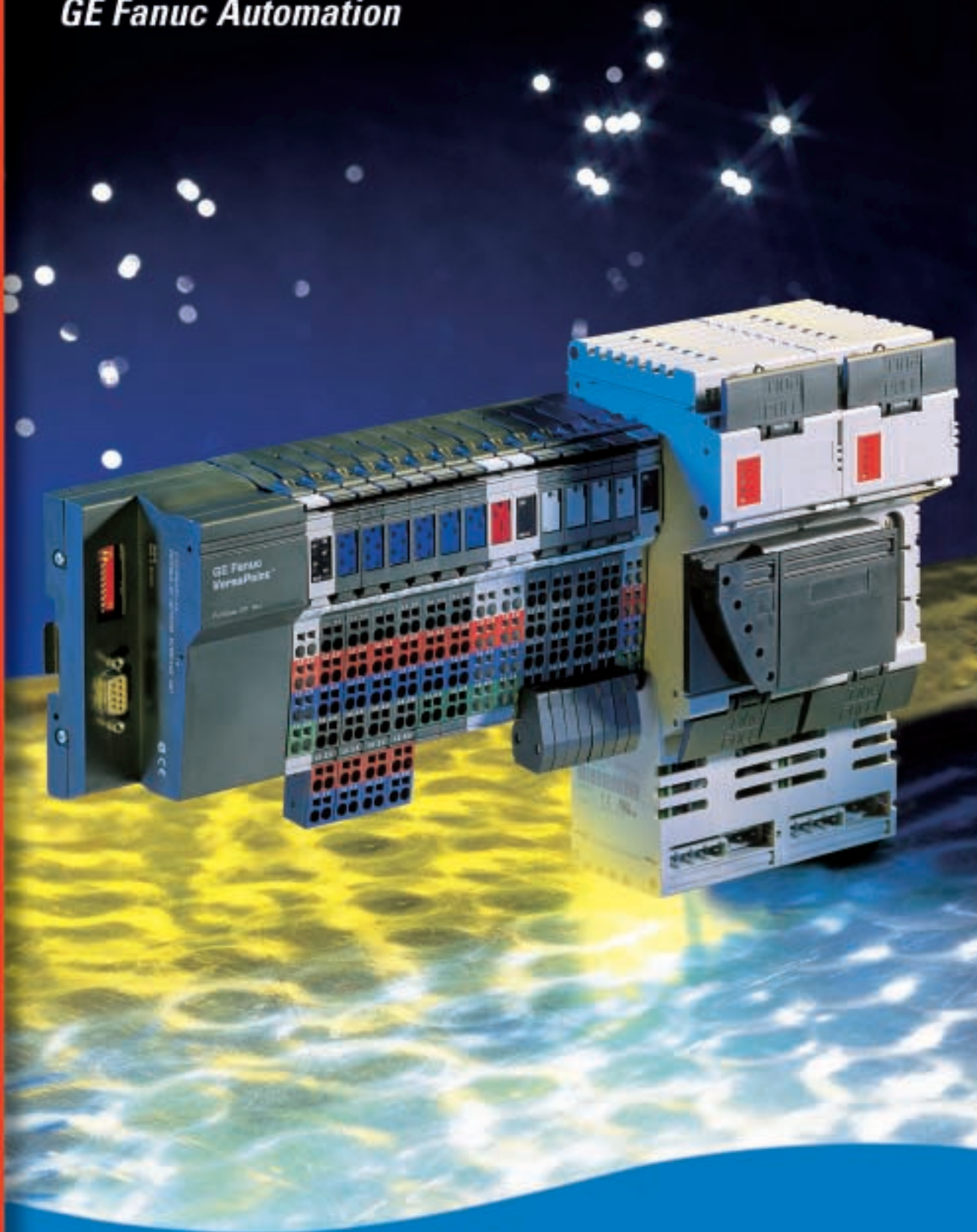




VersaPoint™ I/O

GE Fanuc Automation

www.gefanuc-europe.com



*Modular Solutions Designed for Open,
Affordable I/O*

Universal I/O To Meet Your Configuration Needs

■ Wide Range of I/O

- 16 Discrete Modules
- 8 Analog Modules
- Incremental and Absolute Encoder Inputs
- RTD and Thermocouple

■ Flexible Communication

- Profibus-DP
- DeviceNet™
- Interbus
- Genius®
- Ethernet
- AS-i

■ Special Functions Modules

- Motor Starter
- Pneumatic Terminal Blocks
- Safety Terminal Blocks

■ Extensive Diagnostics

- Network Status
- Fault Report
- Point Status LED
- Module Diagnostic LED

■ Easy to Use

- Snap Together Modules
- No cable Interconnects
- DIN-Rail Mounting
- Removable Terminals

■ Modular & Scaleable

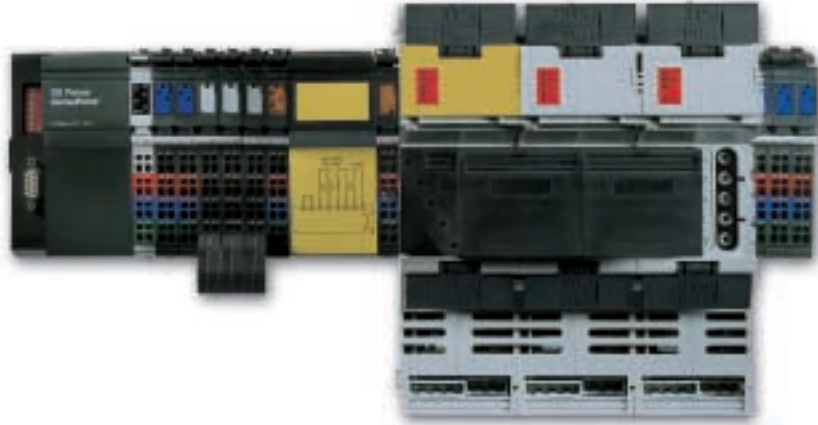
- 1, 2, 4, 8 & 16 Point Density
- Each Network Interface Supports Up to 63 Slices
- Power Segmentation



VersaPoint™ I/O connects to a wide variety of PLC's, DCS's and PC-based control systems via open communication standards such as Profibus-DP, DeviceNet™, Interbus or Ethernet. GE Fanuc will incorporate also Genius® network interface as well as GE Fanuc's EGD (Ethernet Global Data) high-performance Ethernet protocol. In addition, it can also control an AS-i network through an AS-i Master module available in the VersaPoint™ Slice I/O system.

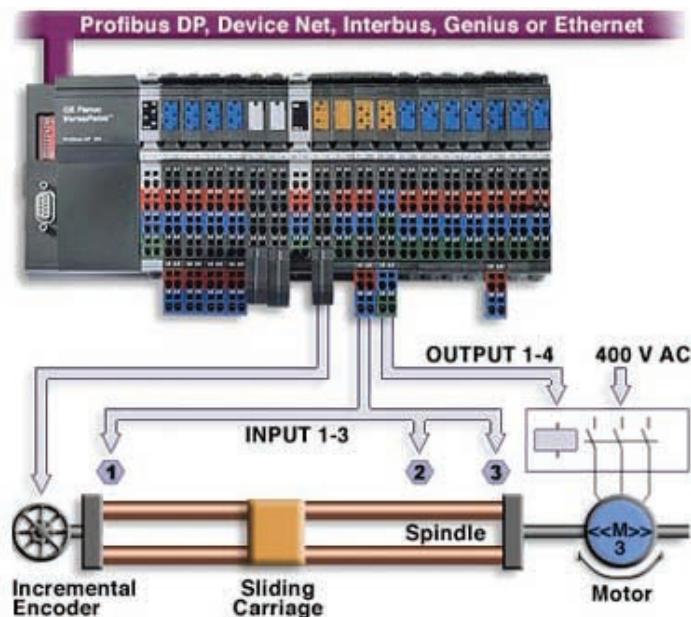
Switching Power with Integrated Safety

VersaPoint™ I/O also brings power into automation through power terminal blocks for direct switching of motors. It can be aligned directly beside the standard terminal blocks. Complex additional wiring for control voltage and power is not necessary. The power bus is already included in the power terminal blocks.



In addition, it also meets all the requirements that are used in modern safety concepts. By simply inserting emergency stop and safety door terminal blocks, protective circuits up to danger category 4 can be established automatically within a VersaPoint™ I/O's station: just connect the emergency stop or safety door switch. No further wiring is necessary. Even a status feedback through the Fieldbus network is built in and the installation becomes really user-friendly.

Easy Positioning



VersaPoint™ I/O absolute and incremental encoder terminals provide a simple solution for axis positioning. The required inputs for limit switches and reference mark switch as well as the digital outputs for the transversing direction and the transversing rate are already included into the module.

The position terminals are configured through the process data output words from the control program and then operate independently. The module constantly monitors the positioning and sends status messages to the control system. When an error occurs, the drive is immediately stopped.

The position terminals also support special functions like jog speed, friction compensation and manual mode.

VersaPoint™ I/O Components

Discrete Input Modules	
IC220MDL641	Input 24 V DC, 2 Points, 4-wire connection
IC220MDL642	Input 24 V DC, 4 Points, 3-wire connection
IC220MDL643	Input 24 V DC, 8 Points, 4-wire connection
IC220MDL644	Input 24 V DC, 16 Points, 3-wire connection
IC220MDL220	Input 120 V AC, 1 Point, 3-wire connection
IC220MDL230	Input 230 V AC, 1 Point, 3-wire connection
Discrete Output Modules	
IC220MDL751	Output 24 V DC, 500 mA, 2 Points, 4-wire connection
IC220MDL721	Output 24 V DC, 2 A, 2 Points, 4-wire connection
IC220MDL752	Output 24 V DC, 500 mA, 4 Points, 3-wire connection
IC220MDL753	Output 24 V DC, 500 mA, 8 Points, 4-wire connection
IC220MDL754	Output 24 V DC, 500 mA, 16 Points, 3-wire connection
IC220MDL350	Output 12 to 253 V AC, 500 mA, 1 Point, 3-wire connection
Relay Output Modules	
IC220 MDL930	Output Relay PDT contact, 5-253 V AC, 3A, 1 Point
IC220 MDL940	Output Relay PDT contacts, 5-253 V AC, 3A, 4 Points *
IC220 ACC201	Relay module electrical isolation set
Analog Input Modules	
IC220ALG220	Analog Input 0-20 mA, 4-20 mA, ±20 mA, 0-10 V, 2 Channels, 2-wire connection
IC220ALG221	Analog Input 0-20 mA, 4-20 mA, ±20 mA, 0-10 V, ±10 V, 8 Channels, 2-wire connection *
IC220ALG630	Analog Input Thermocouple, 2 Channels, 2-wire connection
IC220ALG620	Analog Input RTD, 2 Channels, 2-, 3-, 4-wire connection
Analog Output Modules	
IC220ALG320	Analog Output 0-20 mA, 4-20 mA, 0-10 V, 1 Channel, 2-wire connection
IC220ALG321	Analog Output 0-10 V, 1 Channel, 2-wire connection
IC220ALG322	Analog Output 0-10 V, ± 10 V, 2 Channels, 2-wire connection
Special Function Modules	
IC220MDD842	Incremental Encoder Input, 4 Digital Inputs 24 V DC, 4 Digital Outputs 24 V DC, 500 mA, 3-wire connection
IC220MDD841	Absolute Encoder Input, 4 Digital Inputs 24 V DC, Digital Outputs 24 V DC, 500 mA, 3-wire connection
IC220MDD840	High Speed Counter Input, 1 Control Input, 1 Output, 24 V DC, 500 mA, 3-wire connection
Motor Starter Modules	
IC220STR001	Motor Starter direct, up to 1.5 kW / 400 V AC
IC220STR003	Motor Starter reversing, up to 1.5 kW / 400 V AC
IC220STR002	Motor Starter direct, up to 3.7 kW / 400 V AC
IC220MDD850	Input Thermistor, 1 Channel
IC220ACC101	Motor Starter Brake Module
IC220ACC102	Motor Starter Operator Hand Panel*

Network Interface Units	
IC220PBI001	PROFIBUS-DP NIU Network Interface Unit
IC220DBI001	DeviceNet NIU Network Interface Unit
IC220EBI001	Ethernet NIU Network Interface Unit *
IC220IBI001	INTERBUS NIU Network Interface Unit *
IC220IBI002	INTERBUS NIU Network Interface Unit, Fiber Optic *
IC220BEM104	AS-i Bus Controller *
Power & Segment Terminals	
IC220PWR001	Power Terminal, 24 V DC
IC220PWR002	Power Terminal Fused, 24 V DC
IC220PWR003	Power Terminal Fused w/Diagnose, 24 V DC
IC220PWR101	Power Terminal, 120 V AC
IC220PWR201	Power Terminal, 230 V AC
IC220PWR011	Segment Terminal, 24 V DC
IC220PWR012	Segment Terminal Fused, 24 V DC
IC220PWR013	Segment Terminal Fused w/Diagnose, 24 V DC
IC220PWR014	Segment Terminal Elec. Fused, 24 V DC
Terminals	
IC220TBK081	I/O Terminal Strip, short, (Qty. 10) *
IC220TBK082	I/O Terminal Strip, short, Color (Qty. 10)
IC220TBK083	I/O Terminal Strip, AC Input, Color
IC220TBK084	I/O Terminal Strip, AC Output, Color
IC220TBK085	I/O Terminal Strip, Relay
IC220TBK086	Power Terminal Strip (Qty. 10) *
IC220TBK087	Power Terminal Strip, Color (Qty. 10)
IC220TBK061	I/O Terminal Strip, with Shield (Qty. 5)
IC220TBK062	I/O Terminal Strip, with Dual Shield (Qty. 5) *
IC220TBK121	I/O Terminal Strip, long (Qty. 10) *
IC220TBK122	I/O Terminal Strip, long, Color, Input (Qty. 10)
IC220TBK123	I/O Terminal Strip, long, Color, Output (Qty. 10)
IC220TBK201	Terminal Strip Set, NIU
IC220TBK202	Terminal Strip Set for SSI and INC
IC220TBK203	Terminal Strip Set for AO 1/SF, CNT, RS 232 and RS 485
IC220TBK204	Terminal Strip Set, Power Terminal AC
IC220ACC001	Labeling Field, small (Qty. 10)
IC220ACC002	Labeling Field, wide (Qty. 10)
IC220ACC003	Point Labels Numbered 1-100 (Qty. 10)
IC220ACC004	Point Labels Blank (Qty. 1000)
IC220ACC005	Module Keying Tabs (Qty. 100)
IC220ACC103	Motor Starter Power Connector
IC220ACC104	Motor Starter Power Bridge
IC220ACC105	Motor Circuit Connector (Qty. 10)

* Future Release



GE Fanuc Automation

For the location of your nearest GE Fanuc sales representative or authorized distributor contact:

GE Fanuc Automation Information Centers
 USA & Canada (1) 800 648-2001
 Europe, Middle East,
 CIS & Africa (352) 727979-1
 Asia Pacific (65) 566-4918
 Mexico (1) 800 989-1244

© Copyright 2002 GE Fanuc Automation Europe S.A.
 CIMPPLICITY and Genius are registered trademarks of GE Fanuc Automation North America, Inc. VersaMax, VersaPoint and Series 90 are trademarks of GE Fanuc Automation North America, Inc. DeviceNet is a registered trademark of the Open DeviceNet Vendor Association, Inc. Windows and Windows NT are registered trademarks of Microsoft Inc. All other trademarks and registered trademarks are the property of their respective owners.